

Kit supplied		
Quantity	Part Code & Image	Part Description
1	83/68058 	Blind Assembly
2	83/68097 	Lower hook Assembly
1	83/68010 	LH mounting bracket assembly
1	83/68010/01 	RH mounting bracket Assembly
2	FS6066 	M6x12 S/s PAN Screw
8	EV0329 	12mm (self-boring) Tek Screw

Tools Require

- Step Ladder
- Cordless Drill with pozi head
- Tape measure

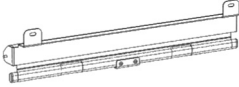
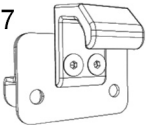
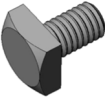
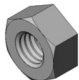
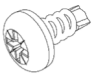
IMPORTANT:

The blinds fit towards the ridge of the greenhouse and are at a difficult height therefore a tall step ladder or similar device will be required. A second person needs to be present to support your ladders and pass tools for safety reasons.

Step N°	Installation process and operation
1	Your blind mounts (left hand and right) have an adhesive back to assist during installation. Remove the film cover from the tape and stick the mounts as shown to the right using the notch to guide you. Locate the notch so that the ridge flange goes all the way into the notch and then down onto the top face of the ridge flange (see figures 1 and 2).
2	Secure the mounts now they are located using four special self-boring 'tek' screws EV0329. You will need a cordless drill with a pozi head (figure 3).
3	Use two FS6006 Pan screws to loosely secure the 'Blind assembly' to the mounts (figure 4). Ensure the blind is orientated correctly with the <u>handle facing downwards</u> towards the floor. Centralise the blind between the roof bars and tighten the screws.
4	Your two 'lower hook assembly's will secure the extendable rung of your blind when fully extended, see right. Once the removable film is peeled off they need to be located and stuck 118mm in from the internal side face of each roof bar ensuring they are <u>fully butted down</u> onto the top gutter flange (figure 5). A good tip is to cut something to 118mm to act as a guide, e.g. an offcut of a glass separator.
5	Pull the blind down to check it aligns with the hooks and then secure both hooks using four EV0329 self-bore tek screws with your cordless drill with pozi head.
6	In order to ensure the blinds retract fully you need to detach it from the hooks at the bottom, step back to the ridgeline of the building and let the fabric wind up vertically.

2.5m Greenhouse Blind Installation Instructions

(p.t.o for partition guidelines)

Kit supplied		
Quantity	Part Code & Image	Part Description
1	83/68364 	Partition Blind Assembly
2	83/68097 	Lower hook Assembly
2	SYBOL M6X11 	10mm M6 Bolt
2	SYNUTM6 	10mm M6 Nut
4	EV0329 	12mm (self-boring) Tek Screw

Tools Require
Step Ladder
Cordless Drill-with pozi head
7mm Drill bit
Tape measure
10mm socket with handle / spanner

IMPORTANT:

If you wish to fit a blind in front of a partition in your greenhouse then you need this blind. This blind is narrower than the standard blind and fits differently to the building.

The blinds fit towards the ridge of the greenhouse and are at a difficult height therefore a tall step ladder or similar device will be required. A second person needs to be present to support your ladders and pass tools for safety reasons.

Step N°	Installation process and operation
1	<p>Firstly, position the blind in the bay in front of your partition along the ridge and mark where the two 7mm holes need to be drilled, see right (figure 1).</p> <p>Check that the blind matches the marks you have made on the ridge.</p>
2	<p>Then using the 7mm bit drill two holes through the aluminium ridge flange being very careful not to hit the <u>glass</u> (figure 1).</p>
3	<p>Your blind can now be fixed into place using the standard M6 nuts and bolts provided. Ensure the blind is orientated correctly with the handle facing downwards towards the floor. (figures 2 and 3).</p>
4	<p>Your two lower 'Hook assembly's will secure the extendable rung of your blind when fully extended. Once the removable film is peeled off they need to be located and stuck 112mm from the partition roof corners (see right) and 118mm on the opposite side in from the internal side face of roof bar ensuring they are <u>fully butted down</u> onto the top gutter flange (figure 4).</p>
5	<p>Pull the blind down to check it aligns with the hooks and then secure both hooks using four EV0329 self-bore tek screws with your cordless with pozi head.</p>
6	<p>In order to ensure the blinds retract fully you need to detach it from the hooks at the bottom, step back to the ridgeline of the building and let the fabric wind up vertically.</p>

2.5m PARTITION Greenhouse Blind Installation Instructions

(p.t.o for STANDARD blind guidelines)

